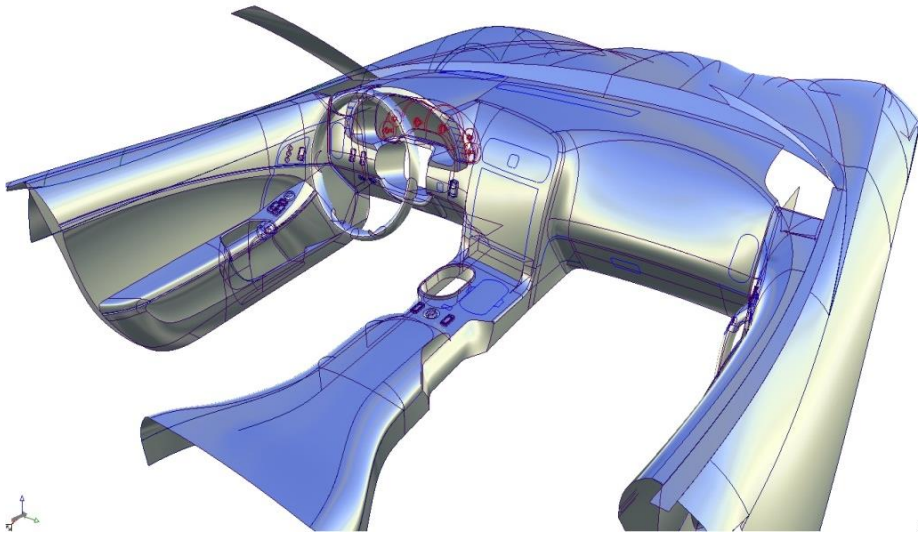
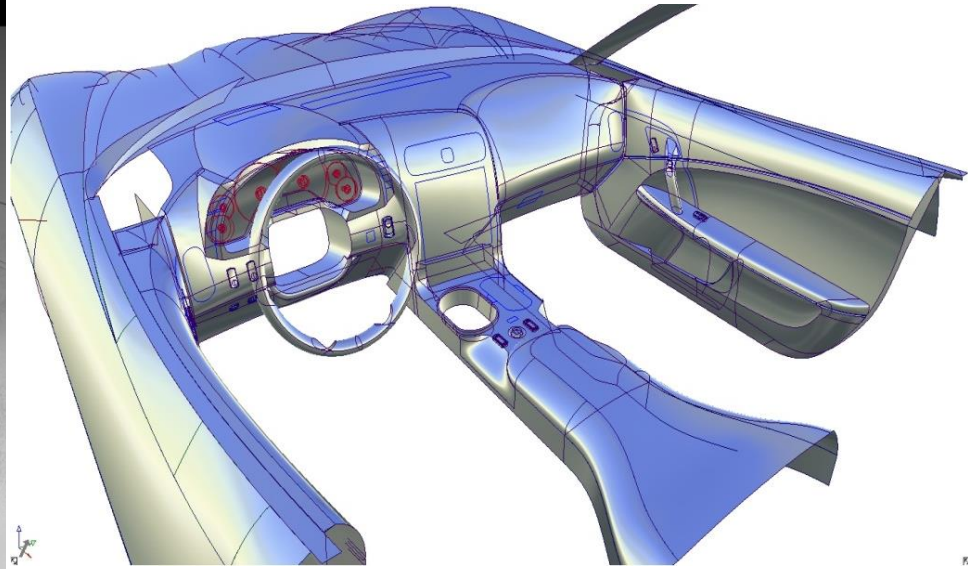


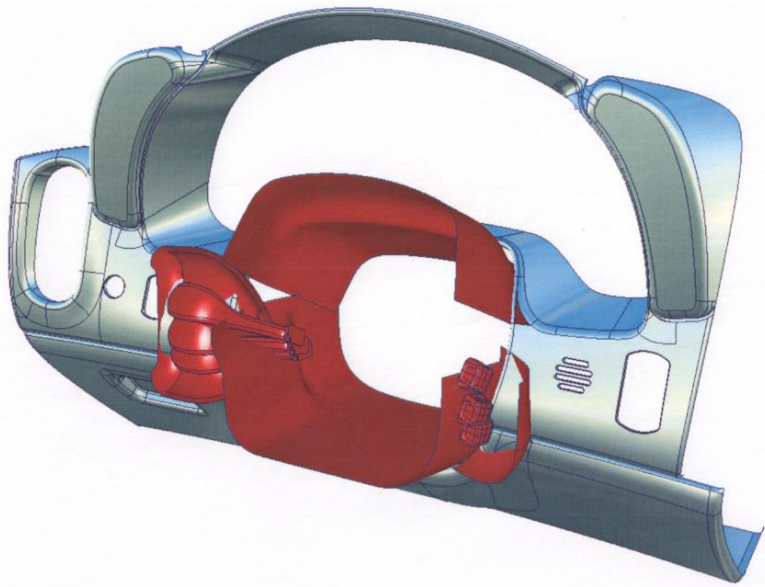
Paul Cowles

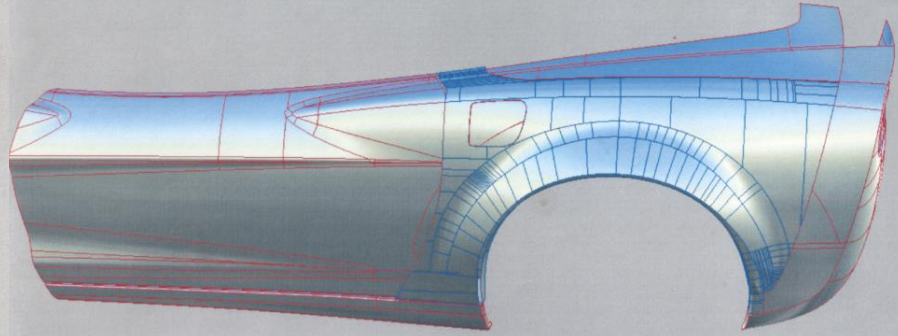
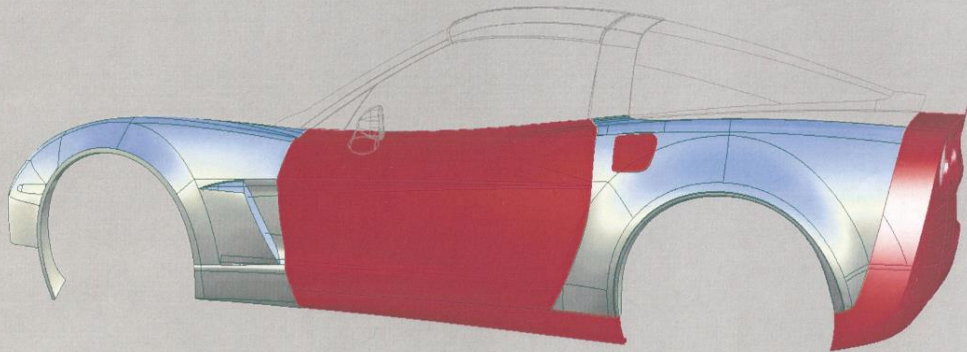
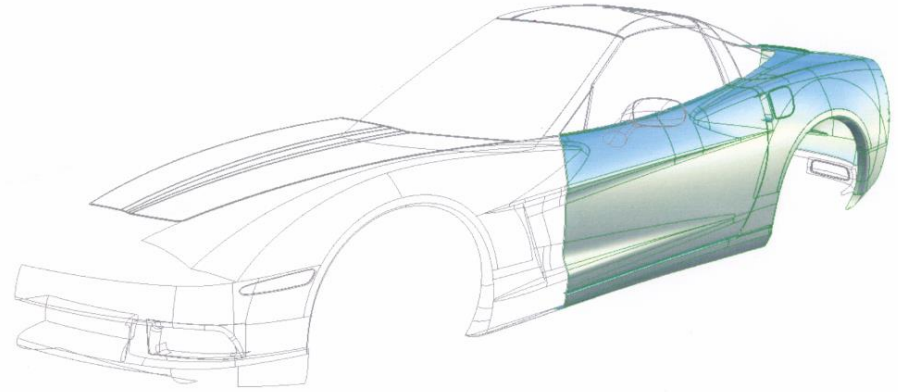
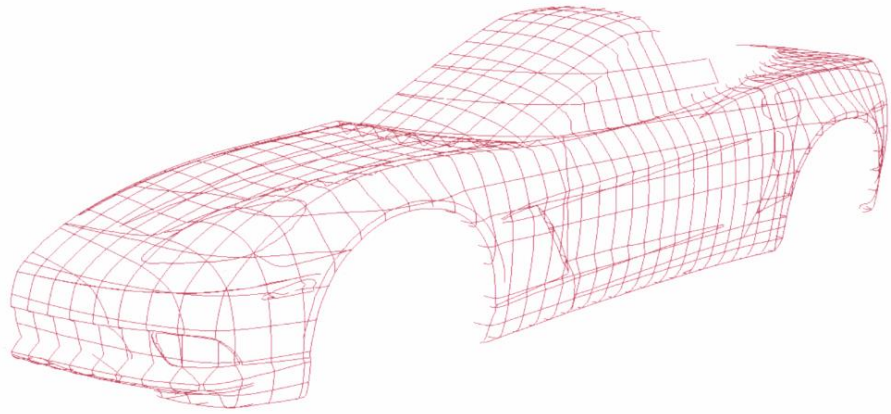


CAD Modeling

CORVETTE







Z06 Common Panel Strategy

Z06 Content (RED)

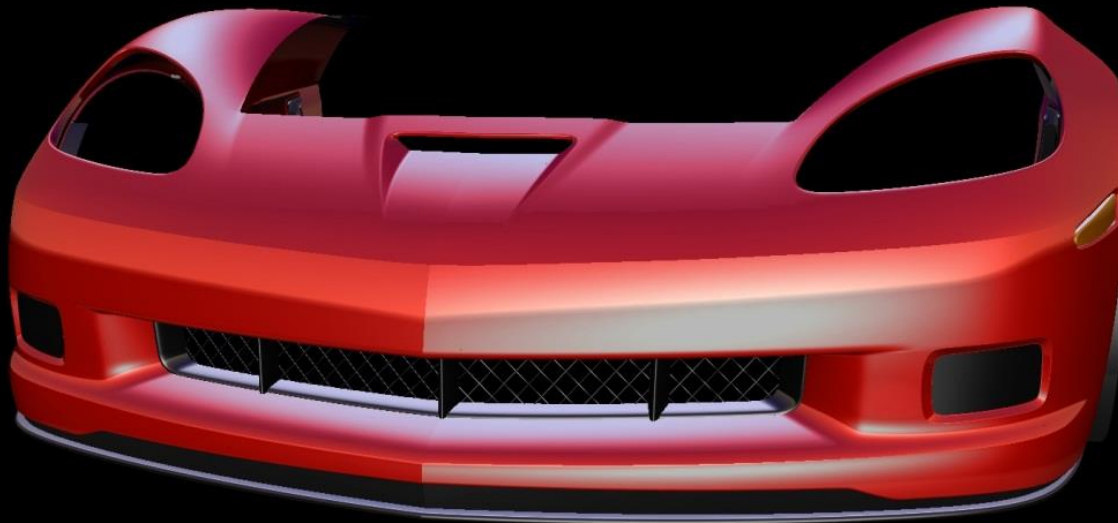
- Front fascia
- Front fender
- Wheels
- Rear quarter
- Front splitter
- Frt. fender Gurney lip
- Fascia grill #1
- Fascia scoop grill #2
- Upper fender grill #3
- Rear brake grill #4
- Side cove grill #5
- Rear mud flaps
- Tailpipe tips
- Badging



- ### Common Panels (Silver)
- Hood
 - Doors
 - Mirrors
 - Roof assembly
 - Rockers
 - Deck lid
 - Fuel filler door
 - Headlamp assembly
 - Side marker assembly

Interior content

- Cluster graphics
- Seat trim



9/20/01



