

TRACKED FELLER BUNCHERS/HARVESTERS

903M/MH / 909M/MH / 953M / 959M



JOHN DEERE



INTRODUCING THE
M-SERIES

***THE MACHINES
THAT ARE
CHANGING
THE GAME.***





Backed by over a half-century of experience in the woods, our next-generation 900M-Series Tracked Feller Bunchers and 900MH-Series Tracked Harvesters are changing the game — thanks to customers like you.

To improve upon our industry-leading large-size machines, we relied on the input of the people who run them in the woods every day. Inspired by invaluable customer input, we added numerous enhancements, then tested the machines until we got them exactly right.

THE RESULT is large-size machines that deliver even more uptime and productivity and lower daily operating costs than their highly successful predecessors.



John Deere addressed everything we asked them for. What's not to like? The stability, the visibility, the serviceability. Hats off to them for building machines that fit all the different types of applications in the whole world.

Brent Day, CAG member
William A. Day Jr. & Sons, Inc., Porter, Maine

WE UPPED THE ANTE

You wrote the rules.

Customer Advocate Groups (CAGs) provided us with real-world insight, inspiring a host of innovations that make our 900M-Series Tracked Feller Buncher and 900MH-Series Tracked Harvester machines even more productive and reliable.

Improved cutting swath

The 900M- and MH-Series maintain the improvements introduced on the 900K-Series machines, including a 30-percent increase in cutting swath, from 3 to 4 m (10 to 13 ft.) on the standard boom, and by eight percent, to almost a foot, on the harvester boom. For more cuts with less machine movement.

Multiple boom-set/ attachment combinations

A variety of boom sets and felling heads can be combined to suit a wide variety of applications.

Rapid Cycle System (RCS)

Optional RCS uses a single, easy-to-operate joystick to quickly and simply control all boom functions.

Increased stability

Longer, wider undercarriage maximizes stability in all terrain conditions.

More swing torque

Swing torque has increased up to 13 percent on the MH-Series Tracked Harvesters, providing more power to boost productivity.





COVER MORE GROUND

Rapid Cycle System (RCS)

New Rapid Cycle System option combines automated felling-head arm cycling with simple boom control — dramatically reducing operator fatigue while increasing efficiency and productivity.



CUT TIME



**MAXIMIZE
PRODUCTIVITY**

ALL IN ONE

MULTIPLE
OPERATOR SETTINGS



ONE-BUTTON
ACTIVATION



Adaptable to preferences and environments

RCS can be tailored to individual skill levels and specific harvesting conditions, from large single-tree harvesting to high-speed, multistem cutting.

Single-touch operation

Press a single button to engage RCS mode. Conditions don't suit the fast, parallel motion of the boom? Turn RCS off with another touch of a button.

Operator-specific settings

Multiple RCS settings can be saved according to individual operator preferences. Novices may prefer a slower, more methodical pace, while highly skilled pros may want faster response.

A green combine harvester cab is shown from a high-angle perspective. The interior features a control panel with a monitor and various buttons. A large graphic is overlaid on the image, consisting of the text "22% MORE WINDOW AREA" in white, with a horizontal line under "22%". Below the text are two white squares: the first contains a stylized eye icon, and the second contains an upward-pointing arrow. The background shows a blurred view of a field through the windows.

22% MORE
WINDOW AREA

GO BIGGER

See more. Do more.

Operators will find their comfort zones and be more productive in the roomier operator station. Controls are ergonomically designed. And the view has to be seen to be believed, with significantly improved visibility.

Effortless control

Fully adjustable armrests, including mounted keypads (available only on tracked harvesters), provide fingertip control of all machine functions. Optional fully adjustable suspension seat provides exceptional daylong comfort in the climate-controlled cab.

Sealed-switch module

Sealed touchpad keeps out dust, moisture, and debris, for longer switch life. Proven marine-grade control center eliminates rocker switches, numerous wires, and unsealed connections, and lasts up to 10 times longer than standard switches.

Improved visibility

Floor-to-ceiling front and side windows plus an overhead skylight expand the view of the cutting area by 22 percent.



Deere really took the time to get our input. And the machines just blow me away. I love the new cab design, the undercarriage, the visibility – everything is just that much better.

Rick Cunneen, CAG member
Plantation Harvesting, Myrtleford, Victoria, Australia



INCREASE UPTIME

There's no stopping you.

When you have timber to cut and trucks to load, you need dependable workers like the 900M-Series Tracked Feller Bunchers and 900MH-Series Tracked Harvesters. So you can run harder and longer without interruption.



Through-nose plumbing option

Exclusive through-nose plumbing (available only on tracked harvesters) routes hoses up and out of harm's way to extend hose life, increasing uptime and reducing operating costs.

Optional toolbox

Optional undercarriage-mounted toolbox provides convenient storage for tools, additional saw bars, and other spare parts, minimizing trips back to the service truck.

Robust booms

Thick plates and larger pins and bushings bolster reliability and help ensure long life.



John Deere has made serviceability about as good as you can possibly make it. They've made some huge improvements.

Clint Lightburn, CAG member
Lightburn Ventures, Jaffray, British Columbia

SIMPLE. AND SMART.

Best-in-class serviceability

Easy access to service components helps ensure daily checks and preventative maintenance get done on schedule, minimizing costly repairs down the road.

Hydraulic reversing fan

Reversing fan automatically reverses airflow to clean debris from the cooler cores. Fan runs at preset intervals, or if conditions demand more frequent cleaning, simply press a button to actuate the reversing cycle.

Work faster with TimberNavi™

Get a clearer picture of your operations with the optional new TimberNavi. This easy-to-use GPS-mapping technology provides locations of site features such as streams, roads, and electricity lines on a rugged color touchscreen display, enabling operators to work with confidence. Precise knowledge of machine position relative to cut-block boundaries will help you maximize efficiency, so you can move more wood to the landing at less cost.

Remote diagnostics

Fast, accurate remote diagnosis, rapid service response with the right part the first time, and dealer service are always within easy reach with a JDLINK™ subscription.



Get valuable insight with

JOHN DEERE FORESTSIGHT™

Through JDLink, alerts can be sent to your computer or mobile device — or your dealer, if you choose — to inform you of immediate machine issues. If downtime does occur, exclusive remote diagnostics and programming enable your Deere dealer to minimize the time and cost associated with sending a technician to the logging site for an initial diagnostic visit. You can also receive reminders of periodic scheduled maintenance on your computer or mobile device, or from your dealer.

Keep downtime down with

ULTIMATE UPTIME™

In addition to the base John Deere ForestSight features, our dealers work with you to build an uptime package that meets your specific needs, including customized maintenance and repair agreements, onsite parts availability, extended warranties, fluid sampling, response-time guarantees, and more.



903M/909M/953M/959M

Engine	903M/909M		953M/ 959M		
Manufacturer and Model	John Deere PowerTech™ Plus 6090H		John Deere PowerTech Plus 6090H		
Non-Road Emission Standard	EPA Tier 3/EU Stage IIIA		EPA Tier 3/EU Stage IIIA		
Cylinders	6		6		
Displacement	9.0 L (549 cu. in.)		9.0 L (549 cu. in.)		
Standard Engine					
Peak Power at 1,900 rpm	224 kW (300 hp)		246 kW (330 hp)		
Rated Power at 2,000 rpm	213 kW (286 hp)		230 kW (308 hp)		
Net Peak Torque at 1,500 rpm	1270 Nm (937 lb.-ft.)		1392 Nm (1,027 lb.-ft.)		
Optional Engine					
Peak Power at 1,900 rpm	246 kW (330 hp)		N/A		
Rated Power at 2,000 rpm	230 kW (308 hp)		N/A		
Net Peak Torque at 1,500 rpm	1392 Nm (1027 lb.-ft.)		N/A		
Cooling					
903M/909M/953M/959M					
Fan Type	Suction type, hydraulically driven, variable speed, reversing				
Hydraulics					
Closed center, load sense, pressure compensated					
Main Pump					
Variable-displacement axial piston					
Maximum Rated Flow	494 L/min. (131 gpm)				
Continuous Saw Pump					
Dedicated variable-displacement axial piston					
Maximum Rated Flow	135 L/min. (36 gpm)				
Attachment Pump					
Dedicated variable-displacement axial piston					
Maximum Rated Flow	135 L/min. (36 gpm)				
Oil Filtration	2 main return filters, 10-micron return with bypass, one case drain strainer, 25 micron				
Electrical					
Voltage	24 volt				
Number of Batteries	2 x 12 volt				
Alternator Rating					
Standard	100 amp				
Optional	130 amp				
Work Lights					
Standard	Halogen (12)				
Optional	LED (12)				
Service Lights	Halogen (3)				
Undercarriage					
903M 909M 953M 959M					
Integral track guides, thick high-abrasion-resistant material, ramp angles, hydraulic track adjustment					
Size	U7 HD	U7L HD (standard)	U7L EXD (optional)	U7 HD	U7L EXD
Track Chain	215.9 mm (8.5 in.)	215.9 mm (8.5 in.)	215.9 mm (8.5 in.)	215.9 mm (8.5 in.)	215.9 mm (8.5 in.)
Number of Track Links (per side)	47	47	47	47	47
Lower Rollers (per side)	9	10	10	9	10
Carrier Slides / Rollers (per side)	2	2	2	2	2
Travel Performance					
Travel Speed, Forward and Reverse					
High	4.2 km/h (2.6 mph)	4.2 km/h (2.6 mph)	3.6 km/h (2.2 mph)	4.2 km/h (2.6 mph)	3.6 km/h (2.2 mph)
Low	2.1 km/h (1.3 mph)	2.1 km/h (1.3 mph)	1.7 km/h (1.0 mph)	2.1 km/h (1.3 mph)	1.7 km/h (1.0 mph)
Tractive Effort	322 kN (72,300 lbf)	322 kN (72,300 lbf)	373 kN (83,880 lbf)	322 kN (72,300 lbf)	373 kN (83,880 lbf)
Rotating Upper					
Swing System					
Swing Speed (maximum)	6.7 rpm	6.7 rpm	4.8 rpm	4.8 rpm	4.8 rpm
Swing Torque	80 170 Nm (59,130 lb.-ft.)	80 170 Nm (59,130 lb.-ft.)	110 170 Nm (81,260 lb.-ft.)	110 170 Nm (81,260 lb.-ft.)	110 170 Nm (81,260 lb.-ft.)
Swing Brake	Sealed wet multi-disc, manually applied/released				
Serviceability					
903M/909M/953M/959M					
Fuel Tank	1080 L (285 gal.)				

Machine not exactly as shown. Illustrations for dimensioning purposes only. Specifications are subject to change without notice.

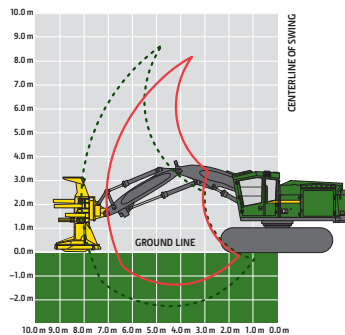


Ground Pressure (SAE J1309, less attachment)	903M	909M	953M	959M	
Undercarriage	U7 HD	U7L HD (standard)	U7L EXD (optional)	U7L EXD	
Double Grouser					
610 mm (24 in.)	60.5 kPa (8.8 psi)	70.5 kPa (10.2 psi)	71.0 kPa (10.3 psi)	63.6 kPa (9.2 psi)	72.6 kPa (10.5 psi)
762 mm (30 in.)	49.5 kPa (7.2 psi)	N/A	N/A	52.0 kPa (7.5 psi)	N/A
Single Grouser					
610 mm (24 in.)	60.4 kPa (8.8 psi)	70.4 kPa (10.2 psi)	70.9 kPa (10.3 psi)	63.5 kPa (9.2 psi)	72.4 kPa (10.5 psi)
711 mm (28 in.)	52.6 kPa (7.6 psi)	61.1 kPa (8.9 psi)	61.6 kPa (8.9 psi)	55.2 kPa (8.0 psi)	62.9 kPa (9.1 psi)
Triple Grouser (soft terrain only)					
914 mm (36 in.)	42.2 kPa (6.1 psi)	N/A	N/A	44.2 kPa (6.4 psi)	N/A

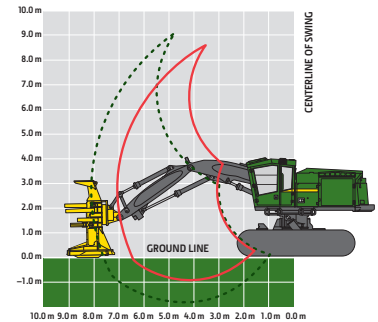
Operating Weight					
Includes standard equipment, 610-mm (24 in.) double-grouser tracks, half-full fuel tank, and all fluids, less attachment					
Undercarriage	U7 HD	U7L HD (standard)	U7L EXD (optional)	U7 HD	U7L EXD
Approximate Weight — Base Machine	31 590 kg (69,660 lb.)	36 660 kg (80,840 lb.)	36 920 kg (81,410 lb.)	33 210 kg (73,230 lb.)	37 740 kg (83,220 lb.)

Boom Performance						
7.01-m Reach	With FR22B		With FR22B		With FR24B	With FR24B
Maximum Reach (to tip of saw blade)	8.88 m (29 ft. 1 in.)		8.88 m (29 ft. 1 in.)		8.88 m (29 ft. 1 in.)	8.88 m (29 ft. 1 in.)
Minimum Reach (to tip of saw blade)	4.87 m (15 ft. 11 in.)		4.87 m (15 ft. 11 in.)		4.87 m (15 ft. 11 in.)	4.87 m (15 ft. 11 in.)
Cutting Swath	4.01 m (13 ft. 2 in.)		4.01 m (13 ft. 2 in.)		4.01 m (13 ft. 2 in.)	4.01 m (13 ft. 2 in.)
Lift Option	<i>Standard</i>	<i>High Lift</i>	<i>Standard</i>	<i>High Lift</i>	<i>Power</i>	<i>Power</i>
Lift Capacity, Bare Pin at Full Reach	5890 kg (12,990 lb.)	7260 kg (16,010 lb.)	5890 kg (12,990 lb.)	7260 kg (16,010 lb.)	7970 kg (17,570 lb.)	7970 kg (17,570 lb.)
Lift Capacity, Bare Pin at 6.1 m (20 ft.)	7680 kg (16,930 lb.)	9370 kg (20,660 lb.)	7680 kg (16,930 lb.)	9370 kg (20,660 lb.)	10 260 kg (22,620 lb.)	10 260 kg (22,620 lb.)
8.08-m Reach	With FR21B		With FR21B		N/A	N/A
Maximum Reach (to tip of saw blade)	9.82 m (32 ft. 3 in.)		9.82 m (32 ft. 3 in.)		N/A	N/A
Minimum Reach (to tip of saw blade)	4.64 m (15 ft. 3 in.)		4.64 m (15 ft. 3 in.)		N/A	N/A
Cutting Swath	5.18 m (17 ft. 0 in.)		5.18 m (17 ft. 0 in.)		N/A	N/A
Lift Option	<i>Standard</i>		<i>Standard</i>		N/A	N/A
Lift Capacity, Bare Pin at Full Reach	4890 kg (10,780 lb.)		4890 kg (10,780 lb.)		N/A	N/A
Lift Capacity, Bare Pin at 6.1 m (20 ft.)	7470 kg (16,470 lb.)		7470 kg (16,470 lb.)		N/A	N/A

903M and 953M Tracked Feller Bunchers



909M and 959M Tracked Feller Bunchers

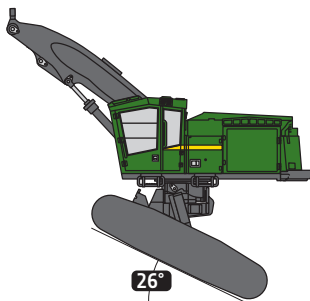


Attachment Information				
Attachment	FR21B (8.08-m boom only)	FS22B (7.01-m boom only)	FR22B (7.01-m boom only)	FR24B
Models	903M, 909M	903M, 909M	903M, 909M	953M, 959M
Maximum Cutting Capacity	545 mm (21.5 in.)	559 mm (22.0 in.)	559 mm (22.0 in.)	622 mm (24.5 in.)
Maximum Accumulation Capacity	0.46 m ² (5.0 sq. ft.)	0.48 m ² (5.2 sq. ft.)	0.48 m ² (5.2 sq. ft.)	0.60 m ² (6.4 sq. ft.)
Opening at Front of Housing	1180 mm (46.5 in.)	1280 mm (50.4 in.)	1280 mm (50.4 in.)	1372 mm (54.0 in.)
Blade Diameter	1372 mm (54.0 in.)	1422 mm (56.0 in.)	1422 mm (56.0 in.)	1549 mm (56.0 in.)
Number of Teeth	18	18	18	20
Saw rpm	1,150 rpm	1,150 rpm	1,150 rpm	1,150 rpm
Wrist Rotation	302 deg.	30 deg.	312 deg.	310 deg.
Width at Saw Housing	1550 mm (61.0 in.)	1620 mm (63.8 in.)	1620 mm (63.8 in.)	1737 mm (68.4 in.)
Height	2820 mm (111.0 in.)	3068 mm (120.8 in.)	3068 mm (120.8 in.)	3068 mm (120.8 in.)
Weight (including adapter and wrist)	3140 kg (6,920 lb.)	3550 kg (7,830 lb.)	3840 kg (8,470 lb.)	4020 kg (8,860 lb.)

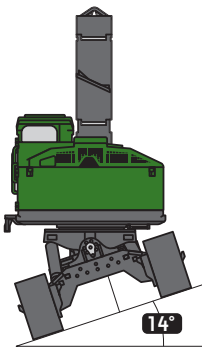
903M/909M/953M/959M

Machine Dimensions	903M	909M	953M	959M
Standard Undercarriage	U7 HD	U7L HD	U7 HD	U7L EXD
A Overall Height with 7.01-m Boom				
Top of Cab with Flat Skylight	3.55 m (11 ft. 8 in.)	4.03 m (13 ft. 3 in.)	3.55 m (11 ft. 8 in.)	4.03 m (13 ft. 3 in.)
Top of Cab with Peaked Skylight	3.77 m (12 ft. 4 in.)	4.24 m (13 ft. 11 in.)	3.77 m (12 ft. 4 in.)	4.24 m (13 ft. 11 in.)
Top of Boom, Extended, Attachment Vertical	3.86 m (12 ft. 8 in.)	4.07 m (13 ft. 4 in.)	3.86 m (12 ft. 8 in.)	4.07 m (13 ft. 4 in.)
B Overall Track Length	4.90 m (16 ft. 1 in.)	4.90 m (16 ft. 1 in.)	4.90 m (16 ft. 1 in.)	4.90 m (16 ft. 1 in.)
C Track Length (idler to sprocket center)	3.83 m (12 ft. 7 in.)	3.81 m (12 ft. 6 in.)	3.83 m (12 ft. 7 in.)	3.81 m (12 ft. 6 in.)
D Tail Swing (from swing center)				
Standard Counterweight	3.05 m (10 ft. 0 in.)	3.05 m (10 ft. 0 in.)	3.23 m (10 ft. 7 in.)	3.23 m (10 ft. 7 in.)
Optional Counterweight	3.23 m (10 ft. 7 in.)	3.23 m (10 ft. 7 in.)	N/A	N/A
E Boom Reach (to attachment pin)				
7.01-m Boom				
Maximum	7.01 m (23 ft. 0 in.)	7.01 m (23 ft. 0 in.)	7.01 m (23 ft. 0 in.)	7.01 m (23 ft. 0 in.)
Minimum	3.00 m (9 ft. 10 in.)	3.00 m (9 ft. 10 in.)	3.00 m (9 ft. 10 in.)	3.00 m (9 ft. 10 in.)
Cutting Swath	4.01 m (13 ft. 2 in.)	4.01 m (13 ft. 2 in.)	4.01 m (13 ft. 2 in.)	4.01 m (13 ft. 2 in.)
8.08-m Boom				
Maximum	8.08 m (26 ft. 6 in.)	8.08 m (26 ft. 6 in.)	N/A	N/A
Minimum	2.90 m (9 ft. 6 in.)	2.90 m (9 ft. 6 in.)	N/A	N/A
Cutting Swath	5.18 m (17 ft. 0 in.)	5.18 m (17 ft. 0 in.)	N/A	N/A
F Ground Clearance				
Single Grouser	779 mm (31 in.)	770 mm (30 in.)	779 mm (31 in.)	770 mm (30 in.)
Double Grouser	756 mm (30 in.)	747 mm (29 in.)	756 mm (30 in.)	747 mm (29 in.)
Triple Grouser	738 mm (29 in.)	N/A	738 mm (29 in.)	N/A
G Upperstructure Width				
With Standard Walkway	N/A	3.20 m (10 ft. 6 in.)	N/A	3.20 m (10 ft. 6 in.)
Without Optional Walkway	3.05 m (10 ft. 0 in.)	N/A	3.05 m (10 ft. 0 in.)	N/A
With Optional Walkway	3.20 m (10 ft. 6 in.)	N/A	3.20 m (10 ft. 6 in.)	N/A
H Track Gauge	2.69 m (8 ft. 10 in.)	2.72 m (8 ft. 11 in.)	2.69 m (8 ft. 10 in.)	2.72 m (8 ft. 11 in.)
I Width Over Tracks				
610-mm (24 in.) Track Shoes	3.30 m (10 ft. 10 in.)	3.33 m (10 ft. 11 in.)	3.30 m (10 ft. 10 in.)	3.33 m (10 ft. 11 in.)
711-mm (28 in.) Track Shoes	3.40 m (11 ft. 2 in.)	3.43 m (11 ft. 3 in.)	3.40 m (11 ft. 2 in.)	3.43 m (11 ft. 3 in.)
760-mm (30 in.) Track Shoes	3.45 m (11 ft. 4 in.)	N/A	3.45 m (11 ft. 4 in.)	N/A
914-mm (36 in.) Track Shoes	3.61 m (11 ft. 10 in.)	N/A	3.61 m (11 ft. 10 in.)	N/A

909/959M Leveling



26°

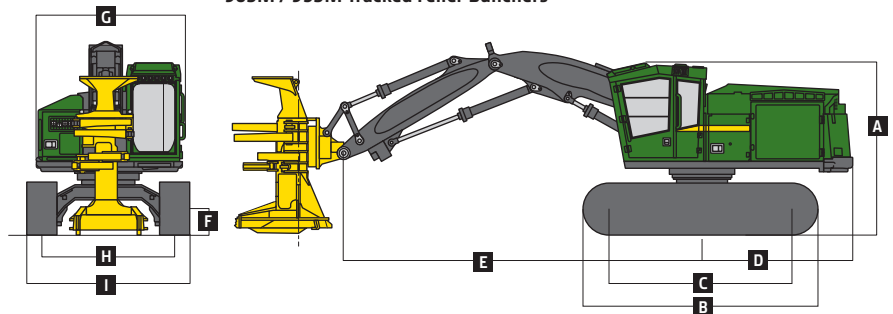


14°

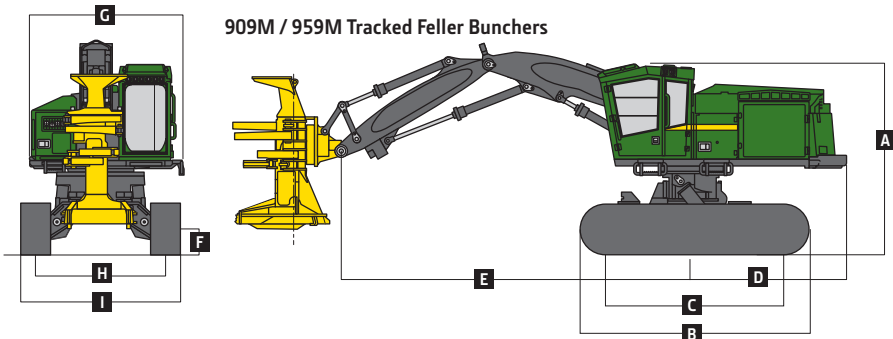
909/959M Undercarriage-Leveling Mechanism

Forward	26 deg.
Side to Side	14 deg.
Rearward	7 deg.

903M / 953M Tracked Feller Bunchers



909M / 959M Tracked Feller Bunchers



Machine not exactly as shown. Illustrations for dimensioning purposes only. Specifications are subject to change without notice.

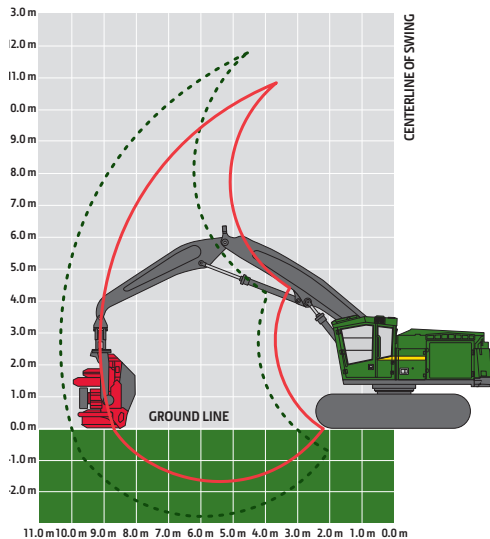
903MH/909MH

Engine	903MH/909MH		
Manufacturer and Model	John Deere PowerTech™ Plus 6090H		
Non-Road Emission Standard	EPA Tier 3/EU Stage IIIA		
Cylinders	6		
Displacement	9.0 L (549 cu. in.)		
Standard Engine			
Peak Power at 1,900 rpm	224 kW (300 hp)		
Rated Power at 2,000 rpm	213 kW (286 hp)		
Net Peak Torque at 1,500 rpm	1270 Nm (937 lb.-ft.)		
Optional Engine			
Peak Power at 1,900 rpm	246 kW (330 hp)		
Rated Power at 2,000 rpm	230 kW (308 hp)		
Net Peak Torque at 1,500 rpm	1392 Nm (1027 lb.-ft.)		
Cooling			
Fan Type	Suction type, hydraulically driven, variable speed, reversing		
Hydraulics			
Closed center, load sense, pressure compensated			
Main Pump	Variable-displacement axial piston		
Maximum Rated Flow	494 L/min. (131 gpm)		
Attachment Pump (x2)	Dedicated variable-displacement axial piston		
Maximum Rated Flow	135 L/min. (36 gpm)		
Oil Filtration	2 main return filters, 10-micron return with bypass, one case drain strainer, 25 micron		
Electrical			
Voltage	24 volt		
Number of Batteries	2 x 12 volt		
Alternator Rating			
Standard	100 amp		
Optional	130 amp		
Work Lights			
Standard	Halogen (12)		
Optional	LED (12)		
Service Lights	Halogen (3)		
Undercarriage	903MH	909MH	
Integral track guides, thick high-abrasion-resistant material, ramp angles, hydraulic track adjustment			
Size	U7 HD	U7L HD (standard)	U7L EXD (optional)
Track Chain	215.9 mm (8.5 in.)	215.9 mm (8.5 in.)	215.9 mm (8.5 in.)
Number of Track Links (per side)	47	47	47
Lower Rollers (per side)	9	10	10
Carrier Slides / Rollers (per side)	2	2	2
Travel Performance			
Travel Speed, Forward and Reverse			
High	4.2 km/h (2.6 mph)	4.2 km/h (2.6 mph)	3.6 km/h (2.2 mph)
Low	2.1 km/h (1.3 mph)	2.1 km/h (1.3 mph)	1.7 km/h (1.0 mph)
Tractive Effort	322 kN (72,300 lbf)	322 kN (72,300 lbf)	373 kN (83,880 lbf)
Rotating Upper	903MH/909MH		
Swing System, Standard			
Swing Speed (maximum)	4.8 rpm		
Swing Torque	110 170 Nm (81,260 lb.-ft.)		
Swing Brake	Sealed wet multi-disc, manually applied/released		
Serviceability			
Fuel Tank	1080 L (285 gal.)		
Ground Pressure (SAE J1309, less attachment)	903MH	909MH	
Undercarriage	U7 HD	U7L HD (standard)	U7L EXD (optional)
Double Grouser			
610 mm (24 in.)	60.2 kPa (8.7 psi)	70.2 kPa (10.2 psi)	70.7 kPa (10.3 psi)
762 mm (30 in.)	49.2 kPa (7.1 psi)	N/A	N/A
Single Grouser			
610 mm (24 in.)	60.0 kPa (8.7 psi)	70.0 kPa (10.2 psi)	70.5 kPa (10.2 psi)
711 mm (28 in.)	52.3 kPa (7.6 psi)	60.9 kPa (8.8 psi)	61.3 kPa (8.9 psi)
Triple Grouser (soft terrain only)			
914 mm (36 in.)	41.9 kPa (6.1 psi)	N/A	N/A

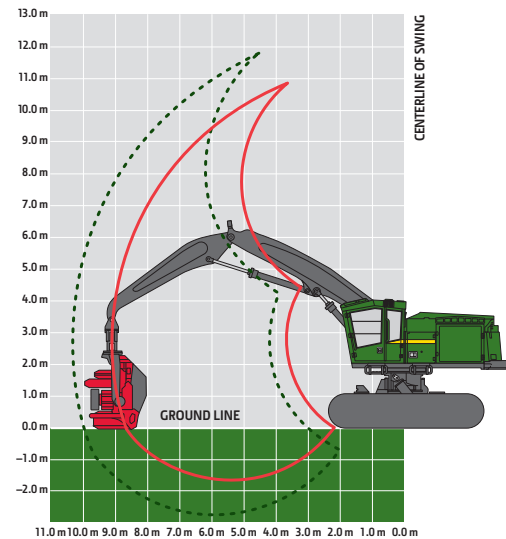
903MH/909MH

Operating Weight	903MH	909MH
Includes standard equipment, 610-mm (24 in.) double-grouser tracks, half-full fuel tank, and all fluids, less attachment		
Undercarriage	U7 HD	U7L HD (standard) U7L EXD (optional)
Approximate Weight — Base Machine	31 420 kg (69,280 lb.)	36 490 kg (80,460 lb.) 36 750 kg (81,030 lb.)
Boom Performance	903MH/909MH	
9.12-m Boom with HTH624C		
Maximum Reach (to attachment pin)	9.12 m (29 ft. 11 in.)	
Minimum Reach (to attachment pin)	3.68 m (12 ft. 1 in.)	
Harvesting Swath	5.44 m (17 ft. 10 in.)	
Lift Option	Standard	
Lift Capacity, Bare Pin at Full Reach	6170 kg (13,600 lb.)	
Lift Capacity, Bare Pin at 7.6 m (25 ft.)	8220 kg (18,130 lb.)	
10.34-m Boom with HTH623C		
Maximum Reach (to attachment pin)	10.34 m (33 ft. 11 in.)	
Minimum Reach (to attachment pin)	4.21 m (13 ft. 10 in.)	
Harvesting Swath	6.13 m (20 ft. 1 in.)	
Lift Option	Standard	
Lift Capacity, Bare Pin at Full Reach	4860 kg (10,720 lb.)	
Lift Capacity, Bare Pin at 9.1 m (30 ft.)	5800 kg (12,790 lb.)	
Lift Capacity, Bare Pin at 7.6 m (25 ft.)	7300 kg (16,100 lb.)	

903MH Tracked Harvester



909MH Tracked Harvester

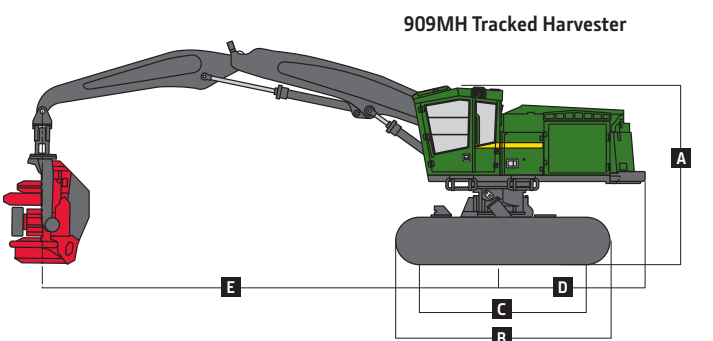
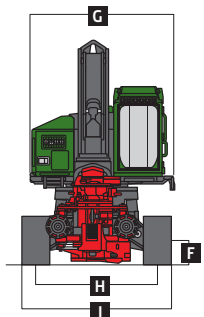
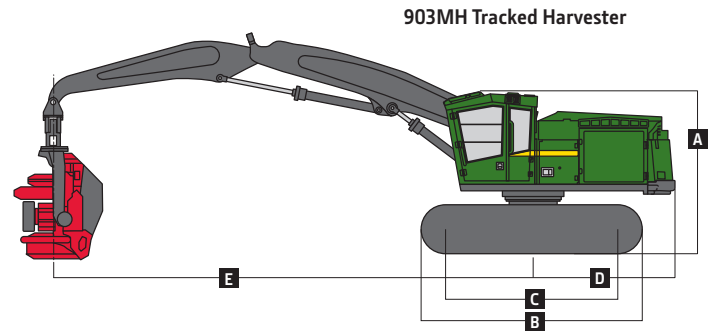
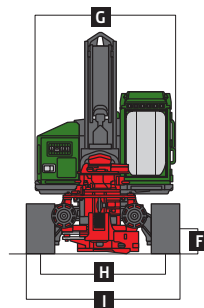
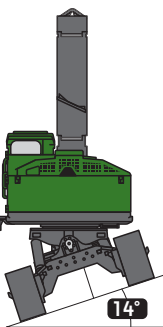
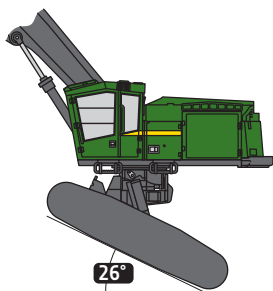


Attachment Information				
Attachment	HTH622B	HTH623C	HTH624C (9.12-m Boom only)	HTH625C (9.12-m Boom only)
Models	903MH, 909MH	903MH, 909MH	903MH, 909MH	903MH, 909MH
Maximum Cutting Capacity	750 mm (29.5 in.)	750 mm (29.5 in.)	810 mm (31.9 in.)	900 mm (35.4 in.)
Maximum Delimiting Capacity	640 mm (25.2 in.)	700 mm (27.6 in.)	760 mm (29.9 in.)	810 mm (31.9 in.)
Feeding Mechanism	3 rollers, fully synchronized hydraulic drive		3 rollers, fully synchronized hydraulic drive	
Dimensions				
Maximum Width (arms open)	1700 mm (66.9 in.)	2000 mm (78.7 in.)	2000 mm (78.7 in.)	2000 mm (78.7 in.)
Height (including rotator)	2700 mm (106.3 in.)	3000 mm (118.1 in.)	3000 mm (118.1 in.)	3250 mm (128.0 in.)
Weight (rotator and standard link)	2190 kg (4,830 lb.)	2870 kg (6,330 lb.)	3460 kg (7,630 lb.)	4270 kg (9,420 lb.)
<i>(See individual Harvesting Head brochure for more details.)</i>				

Machine not exactly as shown. Illustrations for dimensioning purposes only. Specifications are subject to change without notice.

Machine Dimensions	903MH	909MH
Standard Undercarriage	U7 HD	U7L HD
A Overall Height with 9.12-m Boom		
Top of Cab with Flat Skylight	3.55 m (11 ft. 8 in.)	4.03 m (13 ft. 3 in.)
Top of Cab with Peaked Skylight	3.77 m (12 ft. 4 in.)	4.24 m (13 ft. 11 in.)
Top of Boom, Extended, Attachment Vertical	3.86 m (12 ft. 8 in.)	4.07 m (13 ft. 4 in.)
B Overall Track Length	4.90 m (16 ft. 1 in.)	4.90 m (16 ft. 1 in.)
C Track Length (idler to sprocket center)	3.83 m (12 ft. 7 in.)	3.81 m (12 ft. 6 in.)
D Tail Swing (from swing center)		
Standard Counterweight	3.05 m (10 ft. 0 in.)	3.05 m (10 ft. 0 in.)
Optional Counterweight	3.23 m (10 ft. 7 in.)	3.23 m (10 ft. 7 in.)
E Boom Reach (to attachment pin)		
9.12-m Boom		
Maximum	9.12 m (29 ft. 11 in.)	9.12 m (29 ft. 11 in.)
Minimum	3.68 m (12 ft. 1 in.)	3.68 m (12 ft. 1 in.)
Cutting Swath	5.44 m (17 ft. 10 in.)	5.44 m (17 ft. 10 in.)
10.34-m Boom		
Maximum	10.34 m (33 ft. 11 in.)	10.34 m (33 ft. 11 in.)
Minimum	4.21 m (13 ft. 10 in.)	4.21 m (13 ft. 10 in.)
Cutting Swath	6.13 m (20 ft. 1 in.)	6.13 m (20 ft. 1 in.)
F Ground Clearance		
Single Grouser	779 mm (31 in.)	770 mm (30 in.)
Double Grouser	756 mm (30 in.)	747 mm (29 in.)
Triple Grouser	738 mm (29 in.)	N/A
G Upperstructure Width		
With Standard Walkway	N/A	3.20 m (10 ft. 6 in.)
Without Optional Walkway	3.05 m (10 ft. 0 in.)	N/A
With Optional Walkway	3.20 m (10 ft. 6 in.)	N/A
H Track Gauge	2.69 m (8 ft. 10 in.)	2.72 m (8 ft. 11 in.)
I Width Over Tracks		
610-mm (24 in.) Track Shoes	3.30 m (10 ft. 10 in.)	3.33 m (10 ft. 11 in.)
711-mm (28 in.) Track Shoes	3.40 m (11 ft. 2 in.)	3.43 m (11 ft. 3 in.)
760-mm (30 in.) Track Shoes	3.45 m (11 ft. 4 in.)	N/A
914-mm (36 in.) Track Shoes	3.61 m (11 ft. 10 in.)	N/A

909MH Leveling



909MH Undercarriage-Leveling Mechanism

- Forward 26 deg.
- Side to Side 14 deg.
- Rearward 7 deg.



Logging is a way of life. A calling passed down through the generations. One that gets into your blood and takes everything you've got. But one that you'll never give up. And that's why we're dedicated to providing equipment and solutions specifically for the work you do. Combine our technology with your work ethic to get the job done.

We're for Loggers



JOHN DEERE